

FILTERITE® TKO 700 SERIES

FILTER HOUSINGS

150 PSIG; Versatile, Multi-Cartridge Housings

- 150 PSIG Maximum Operating Pressure Permits Use in a Wide Range of Applications
- Accepts Filterite M3, M8 or DOE Style Filter Cartridges
- Accepts Seven - 10", 20", 30" or 40" Cartridges for an Optimum Choice for a Given Flow Rate
- 7-Around Design Combines Longer Cartridge Life with Lower Pressure Drop
- Heavy Duty V-Clamp Closure Allows Quick, Easy Cartridge Changeout
- 304 or 316L Stainless Steel Materials of Construction for Maximum Corrosion Resistance in a Non-Code Housing
- Available with 2" TRI-CLOVER® Sanitary Flange



Housing Specifications

Maximum Operating Pressure:*

150 psig (1035 kPa) @ 200° F (93°C in liquid service).

Construction:	A	SL
Head:	316L S.S.	316L S.S.
Shell:	304 S.S.	316L S.S.
Vent Plug:	304 S.S.	316 S.S.
Drain Cap:	304 S.S.	316 S.S.
Bottom Seat Plates:	316L S.S.	316L S.S.

Connections:

Inlet/Outlet:	2" NPT, 2" Tri-Clover Flange (pipe size)
Drain:	3/4" NPT
Vent:	1/4" NPT

Shell O-ring:

Standard:	Ethylene Propylene
Optional:	Viton A, Buna N, Silicone

Connection Option:

Available with 150 lb. ANSI raised face, threaded flanges or Tri-Clover sanitary flanges.

Internal Components:

316 Stainless Steel compression seat plate assemblies and tube guides are included with the TKO-IP. UNI-SEAL™ and ACCU-SEAL™ sealing mechanisms are available as options for the TKO.

NOTE: Maximum operating pressure ratings are vessel ratings only. Safe operating temperature and pressure will depend on filter cartridge and gasket use. For inquiries on compatibility, contact the factory or your Filterite distributor.

* Not for use with compressed gases.

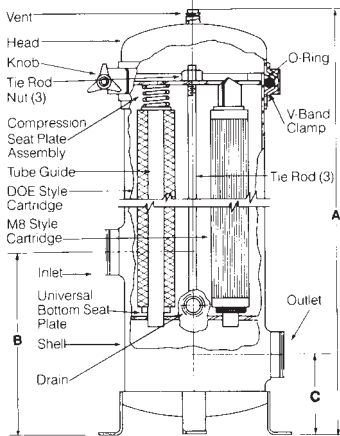
FILTERITE TKO 700 SERIES FILTER HOUSINGS

Dimensional Data

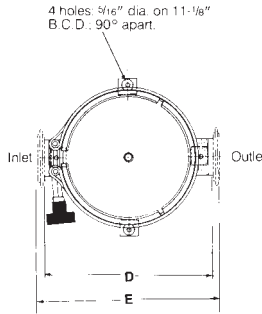
Model	Liquid Flow Rates (gpm)	Dimensions					Maximum Cartridge Diameter	Weight (pounds)	Overhead ¹ Clearance Required For Cartridge Removal
		A	B	C	D	E			
7TKO1 - 2	to 35	25"	11 1/2"	5 1/2"	12"	12 7/8"	2 3/4"	29	31"
14TKO2 - 2	to 70	32 1/2"	11 1/2"	5 1/2"	12"	12 7/8"	2 3/4"	34	48 1/2"
21TKO3 - 2	to 100	44"	11 1/2"	5 1/2"	12"	12 7/8"	2 3/4"	40	72"
28TKO4 - 2	to 100	54 1/2"	11 1/2"	5 1/2"	12"	12 7/8"	2 3/4"	46	89 1/2"

- 1 10" cartridges may be used instead of 20", 30", or 40" cartridges in 2, 3, or 4-deck TKO-IP housings which will reduce this height. When using 10-inch cartridges in multi-deck housings, cartridge spacers are required. For 316 S.S. spacers, specify Filterite part #10583-032.
- 2 Part number shown at left describes a 2-deck TKO housing which will typically hold seven 20-inch cartridges. Model shown has 2" flanged inlet and outlet and includes seven 316 S.S. tube guides and compression seat plate assemblies.
- 3 Flow rates are listed for depth cartridges. Consult factory for more specific information.
- 4 For flow rates above 100 gpm, please consult factory.

SIDE VIEW

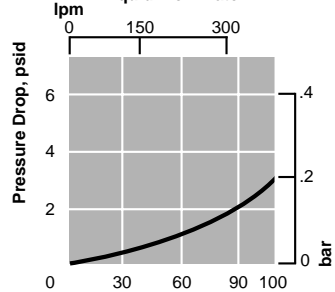


TOP VIEW



Note side view shows sealing arrangement for DOE style cartridges on left (TKO-IP model) and M3 or M8 style cartridges (M8 shown) on right (TKO model)

Housing Pressure Drop vs. Liquid Flow Rate



Flow Rate, gpm, water*

* For liquids other than water, multiply the above values by the specific gravity of the liquid.

Ordering Information

No. of 10" Equiv.: 7, 14, 21, 28	14 TKO 2	A- 2	F IP
Model: TKO	Internal Parts (optional): IP = 316 S.S.		
No. of 10" Equiv. per Column: 1, 2, 3, 4	Flanges (optional): F = Flanges TC = Tri-Clover		
Material of Construction: A = 304 Stainless Steel SL = 316L Stainless Steel	Inlet/Outlet Connection Size: 2" NPT		



USF FILTRATION & SEPARATIONS GROUP INC. REGISTERED NO. A2041
 USF FILTRATION & SEPARATIONS GROUP INC. REGISTERED NO. JMI0209
 USF FILTRATION & SEPARATIONS GROUP INC. REGISTERED NO. FM23897

FILTERITE is a registered trademark of USFilter and/or its Affiliates.
 ACCU-SEAL and UNI-SEAL are trademarks of USFilter and/or its Affiliates.
 TRI-CLOVER is a registered trademark of the Ladish Corporation.



Filterite Division
 2118 Greenspring Drive
 Timonium, Maryland 21093
 410.252.0800 phone
 410.560.2857 fax
 www.filterite.com website
 filterite@usfiltration.com e-mail
 electronics@usfiltration.com e-mail

VIVENDI
 water company
 © 2000 USFilter
 FI-TKO700-DS-0800