

BE connect[®]ED TO
the direct chill evolution

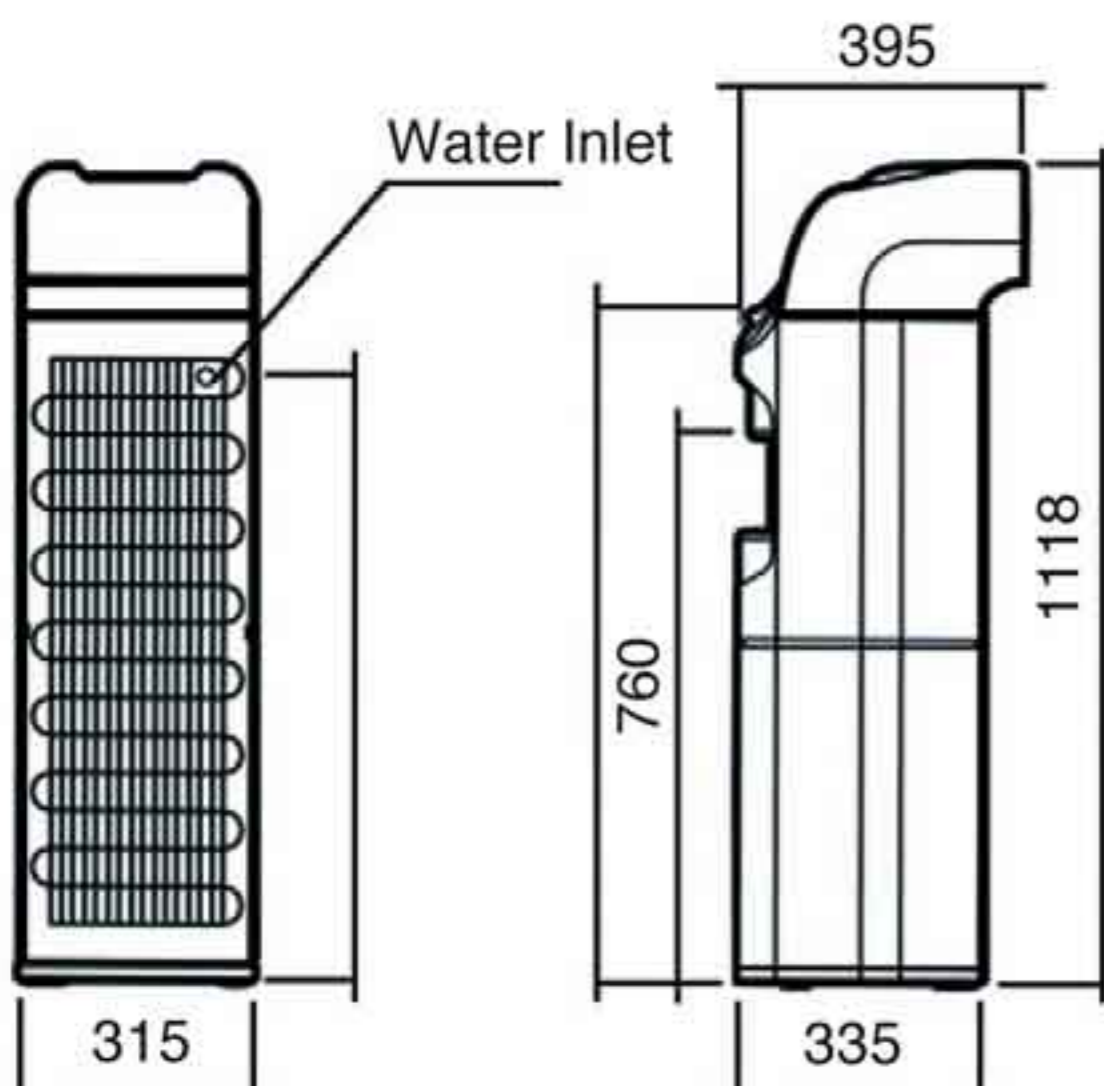


microlene
purified water

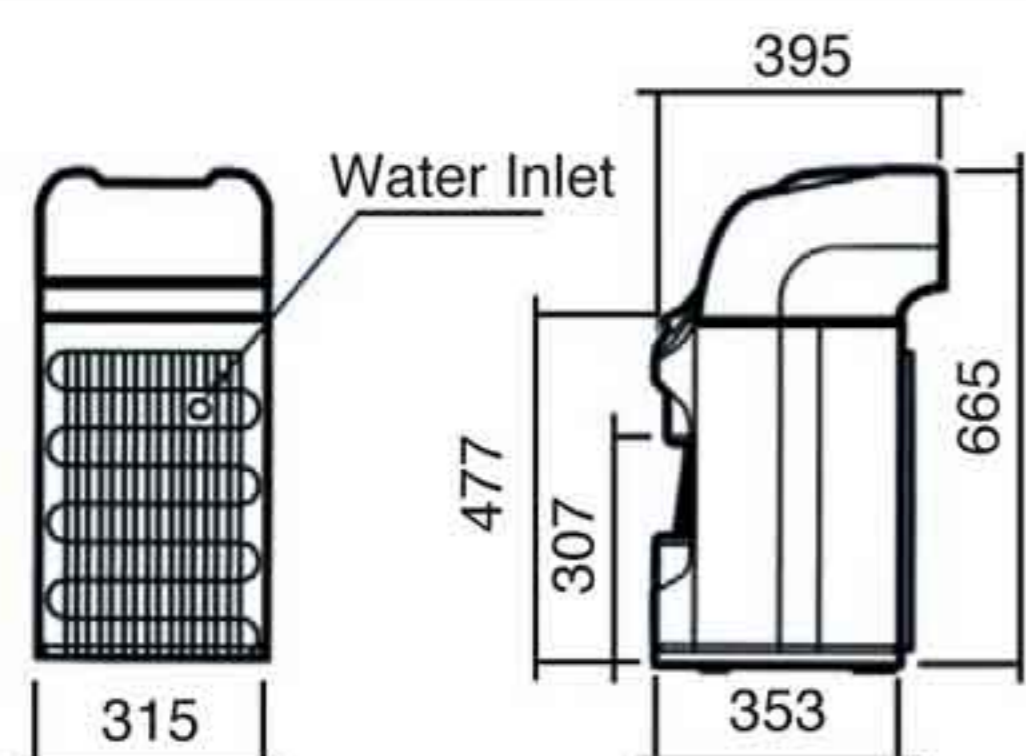
connect[®] Direct Chill System

UV connect 23 A	Free-Standing	- Dispenses cold water and at room temperature
UV connect 23 H	Free-Standing	- Dispenses cold water and hot water
UV connect 12 A	Countertop	- Dispenses cold water and at room temperature
UV connect 12 H	Countertop	- Dispenses cold water and hot water

1. — Direct cooling system, without water storage.
2. — Stainless steel coil: a proven hygienic and secure method of water cooling and conduction.
3. — UV protection for the water dispensing area (PATENTED).
A UV-ray lamp kills all bacteria in the air surrounding the water dispensing point.
4. — No taps to sanitise.
5. — The water dispensing point is located higher up and prevents the user from having to bend down.
6. — Capacious built-in cup dispenser.
7. — Automatic tray full indicator.



UV Connect 23	UV Connect 12
CHILLED (23A) 22 l/hr, 8 - 12°C	CHILLED (12A) 12 l/hr, 8 - 12°C
Power Consumption 150 watts	Power Consumption 140 watts
HOT (23H) 8 l/hr, 95°C	HOT (12H) 8 l/hr, 95°C
Power Consumption 810 watts	Power Consumption 810 watts



MICROLENE WATER PURIFIER

ONLY MICROLENE HAS BEEN TESTED / PASSED / REGISTERED / LISTED BY THE WORLD'S LEADING AUTHORITIES AND REGULATORY BODIES

BACTERIOSTATIC Purification Media

Granular Activated Carbon (GAC)
Environmental Protection Agency of U.S.A. Reg No: 37589
Acceptably hygienic - no need to backwash unless a blockage occurs.
End of Useful life typically indicated by chlorine taste or flow reduction.

GIARDIA SAFE AND ASBESTOS SAFE

Deluxe models of MICROLENE Purifiers come with 1 Micron Filtration to ensure total protection against CYSTS such as Giardia and Cryptosporidium- and for removal of dangerous ASBESTOS fibres which are very common in NZ town water supply pipes (made of Asbestos). One Micron Filtration tested by Massey University.
Note: Budget models of MICROLENE Purifiers come with 10 Micron Filtration- Not Giardia safe.

KDF Purification Media-

Listed by National Sanitation Foundation Standard 61 - drinking water component.

NORMALLY FOR USE ON MUNICIPALLY TREATED WATER TO REMOVE CHLORINE, CHEMICALS, TASTES and ODOURS, METALS, (KDF units), Giardia cysts and ASBESTOS fibres (Deluxe 1 micron units)

Note: Pre-filtration may be advisable on city town water supply.



CONTAMINATION CONTROL LTD
PO BOX 14641 Auckland 1741
Ph. (09) 570 9135
Customer Service Centre
0800 654 333

